



**WITTENSTEIN**

alpha

## Hygienic Design Mounting Kit

Instruction Sheet

**WITTENSTEIN alpha GmbH**

Walter-Wittenstein-Straße 1  
D-97999 Igersheim  
Germany

**Customer Service department**

		✉	☎
Deutschland	WITTENSTEIN alpha GmbH	service@wittenstein.de	+49 7931 493-12900
Benelux	WITTENSTEIN BVBA	service@wittenstein.biz	+32 9 326 73 80
Brasil	WITTENSTEIN do Brasil	vendas@wittenstein.com.br	+55 15 3411 6454
中国	威騰斯坦（杭州）实业有限公司	service@wittenstein.cn	+86 571 8869 5856
Österreich	WITTENSTEIN GmbH	office@wittenstein.at	+43 2256 65632-0
Danmark	WITTENSTEIN AB	info@wittenstein.dk	+45 4027 4151
France	WITTENSTEIN sarl	info@wittenstein.fr	+33 134 17 90 95
Great Britain	WITTENSTEIN Ltd.	sales.uk@wittenstein.co.uk	+44 1782 286 427
Italia	WITTENSTEIN S.P.A.	customerservice@wittenstein.it	+39 02 241357-1
日本	ヴィッテンシュタイン株式会社	sales@wittenstein.jp	+81-3-6680-2835
North America	WITTENSTEIN holding Corp.	technicalsupport@wittenstein-us.com	+1 630-540-5300
España	WITTENSTEIN S.L.U.	info@wittenstein.es	+34 93 479 1305
Sverige	WITTENSTEIN AB	info@wittenstein.se	+46 40-26 50 10
Schweiz	WITTENSTEIN AG Schweiz	sales@wittenstein.ch	+41 81 300 10 30
台湾	威騰斯坦有限公司	info@wittenstein.tw	+886 3 287 0191
Türkiye	WITTENSTEIN Güç Aktarma Sistemleri Tic. Ltd. Şti.	info@wittenstein.com.tr	+90 216 709 21 23

© WITTENSTEIN alpha GmbH 2023

Subject to technical and content changes without notice.

## Table of Contents

<b>1</b>	<b>About this manual</b> .....	<b>2</b>
1.1	Information symbols and cross references .....	2
1.2	Scope of delivery.....	2
<b>2</b>	<b>Safety</b> .....	<b>3</b>
2.1	Intended use .....	3
<b>3</b>	<b>Assembly</b> .....	<b>3</b>
3.1	Mounting the motor to the gearbox .....	3
3.2	Mounting the gearbox on a machine (HDP <sup>+</sup> ) .....	3
3.3	Mounting the gearbox / servo actuator to a machine (HDV, axenia value).....	4
3.4	Components mounted to the output side (HDP <sup>+</sup> , HDV).....	5
<b>4</b>	<b>Appendix</b> .....	<b>5</b>
4.1	Mounting the O-ring .....	5
4.2	Removing the sealing washer (PTFE ring) .....	6
4.3	Supplementary information .....	6

## 1 About this manual

These instructions describe attachment of mounting kits to the HDP<sup>+</sup> or HDV gearboxes and the axenia value servo actuator. It is an amendment to the standard operating manual. Contradictory specifications in the standard manual thereby become void.

The operator must ensure that all persons assigned to install, operate, or maintain the gearbox / servo actuator have read and understand these instructions in full.

Store these instructions within reach of the gearbox / servo actuator.

Inform colleagues who work in the area around the machine about the **safety and warning notices** to avoid injuries.

The original instructions were prepared in German; all other language versions are translations of these instructions.

### 1.1 Information symbols and cross references

The following information symbols are used:

- Indicates an action to be performed
- ➡ Indicates the results of an action
- ① Provides additional information about the action

A cross reference refers to the chapter number and the header of the target section (e. g. 2.1 "Intended use").

A cross reference on a table refers to the table number (e. g. Table "Tbl-15").

### 1.2 Scope of delivery

- Check the completeness of the delivery against the delivery note.
  - ① Missing parts or damage must be notified immediately in writing to the carrier, the insurance company, or **WITTENSTEIN alpha GmbH**.

## 2 Safety

These instructions, especially the safety instructions and the rules and regulations valid for the operating site, must be observed by all persons working with the gearbox / servo actuator.

In addition to the safety instructions in this manual and in the standard manual, also observe any (legal and otherwise) applicable environmental and accident prevention rules and regulations (e.g. personal safety equipment).

### 2.1 Intended use

The mounting kit is used for easy-to-clean and corrosion-protected mounting of gearboxes and servo actuators in **Hygienic Design**.

- To avoid danger to the operator or damage to the machine, employ the mounting kit only for its intended use and in a technically flawless and safe state.

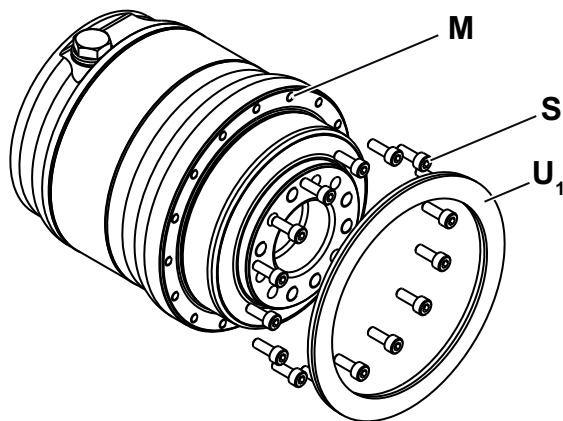
## 3 Assembly

	<ul style="list-style-type: none"> <li>• Observe all instructions in the standard instructions.</li> </ul>
--	--

### 3.1 Mounting the motor to the gearbox

	<ul style="list-style-type: none"> <li>• Place an appropriate sealing ring between adapter plate and motor for gearboxes in <b>Hygienic Design</b> to avoid leaks.</li> <li>① In addition, <b>WITTENSTEIN alpha GmbH</b> offers a suitable sealing plate.</li> </ul>
--	--

### 3.2 Mounting the gearbox on a machine (HDP<sup>+</sup>)



The gear housing has threaded bores [M] for bolting the gearbox to your machine.

- Thoroughly clean the output flange, centering, and fitting surface.

The bolts need to be provided by the customer. **WITTENSTEIN alpha GmbH** offers corresponding mounting kits for this (see Table "Tbl-1").

The following mounting kits are available:

Size HDP <sup>+</sup>	010	025	050
Article code for mounting kit	20057980	20061330	20055979

Tbl-1: Mounting kit

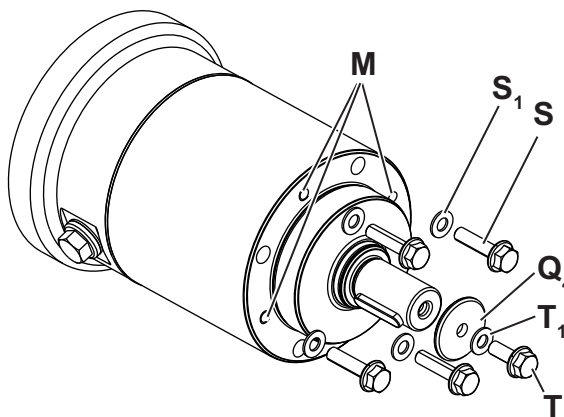
The mounting kits contain the following single parts:

		Designation
	E <sub>1</sub>	O-ring ① Information on mounting can be found in section 4.1 "Mounting the O-ring".
	U	Machine (mountable flange for gearbox) *
	S	Screw (machine mounting) *
	U <sub>1</sub>	Sealing disc ① Information on removal of the sealing washer can be found in section 4.2 "Removing the sealing washer (PTFE ring)".
	Q <sub>4</sub>	O-ring
	E	Gearbox HDP+ *
* Not included in the scope of delivery.		

Tbl-2: Single parts in the mounting kit

- ① Install the gearbox so that the locking screw faces downwards. This makes cleaning easier.
- ① Ensure that the fastening screws [S] are sunk into the mountable flange [U]. Use a sealing disc [U<sub>1</sub>] as well as O-rings [E<sub>1</sub>, Q<sub>4</sub>] for sealing.

### 3.3 Mounting the gearbox / servo actuator to a machine (HDV, axenia value)



The gear housing has four threaded bores [M] for bolting the gearbox to your machine.

- Thoroughly clean the output shaft, centering, and fitting surface.

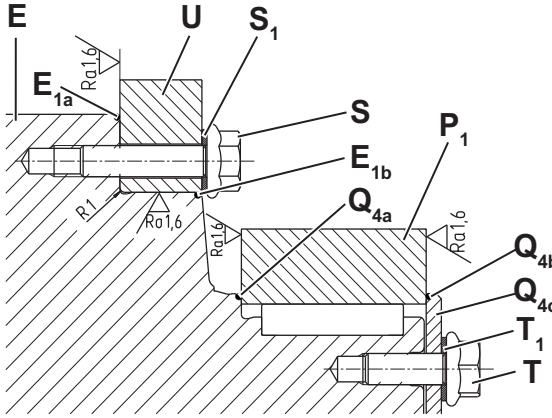
The bolts need to be provided by the customer. **WITTENSTEIN alpha GmbH** offers corresponding mounting kits for this (see Table "Tbl-1").

The following mounting kits are available:

Size	HDV 015	AVF 1	HDV 025	AVF 2	HDV 035	AVF 3
Article code for mounting kit	20058220		20058222		20058221	

Tbl-3: Mounting kit

The mounting kits contain the following single parts:

		Designation
	S <sub>1</sub>	Screw head seal
	S	Screw (machine mounting)
	Q <sub>4c</sub>	Disk (output mounting)
	T <sub>1</sub>	Screw head seals
	T	Screw (output mounting)
	E	Gearbox HDV / Servo actuator axenia value *
	U	Machine (mountable flange for gearbox) *
	E <sub>1a</sub>	O-ring ⓘ Information on mounting can be found in section 4.1 "Mounting the O-ring".
	E <sub>1b</sub>	O-ring
	P <sub>1</sub>	Mounting part, output side (e.g. gear) *
	Q <sub>4a</sub>	O-ring
	Q <sub>4b</sub>	O-ring
* Not included in the scope of delivery.		

Tbl-4: Single parts in the mounting kit

- ⓘ Install the gearbox so that the locking screw faces downwards. This makes cleaning easier.
- ⓘ Use the screw head seals [S<sub>1</sub>] as well as O-rings [E<sub>1a</sub>, E<sub>1b</sub>] for sealing.

### 3.4 Components mounted to the output side

- Seal potential gaps when mounting on the output side.
- ⓘ Use the screw head seals and O-rings for sealing.

**WITTENSTEIN alpha GmbH** offers corresponding mounting kits for this.

## 4 Appendix

### 4.1 Mounting the O-ring

	● Observe all instructions in the standard instructions.
--	--

- Lightly lubricate the O-ring with food grade lubricant.
- Roll the O-ring over the gearbox housing / servo actuator housing.
- Screw the gearbox / servo actuator to the machine with four screws only hand-tight (mounting flange for gearbox). Then loosen the screws again by one turn.
- Pull back the gearbox / servo actuator so that the groove for the O-ring becomes larger.
- Roll the O-ring into the groove.
- Check that the O-ring is correctly positioned in the groove.
- Tighten the four screws crosswise with a torque wrench.
- Screw in the remaining screws.

## 4.2 Removing the sealing washer (PTFE ring)

	The sealing washer must be destroyed to remove it!
--	--

- Drill a hole in the center of the sealing washer.
- Insert a suitable screwdriver into the hole and lever out the sealing washer.
  - ① Make sure that the gearbox and the machine bed are not damaged.
- Dispose of the sealing washer at recycling sites intended for this purpose.
  - ① Please observe the valid national regulations for waste disposal.

## 4.3 Supplementary information

- For further information, please visit our website at [www.wittenstein-alpha.de](http://www.wittenstein-alpha.de). Or contact our Customer Service department at [service-alpha@wittenstein.de](mailto:service-alpha@wittenstein.de)

### **WITTENSTEIN alpha GmbH**

Customer Service department  
Walter-Wittenstein-Straße 1  
D-97999 Igersheim, Germany  
Tel.: +49 7931 493-12900

© WITTENSTEIN alpha GmbH 2023



## Revision history

Revision	Date	Comment	Chapter
01	23.03.18	New version	All
02	07.08.23	axenia value, O-ring, Sealing disc	All 4



alpha

WITTENSTEIN alpha GmbH · Walter-Wittenstein-Straße 1 · 97999 Igersheim · Germany  
Tel. +49 7931 493-12900 · [info@wittenstein.de](mailto:info@wittenstein.de)

**WITTENSTEIN - one with the future**

**[www.wittenstein-alpha.de](http://www.wittenstein-alpha.de)**